

Mounting Instruction

SPORT GYM

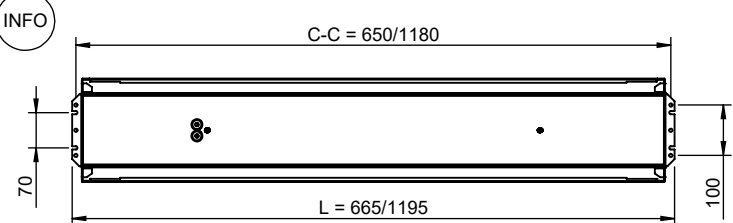
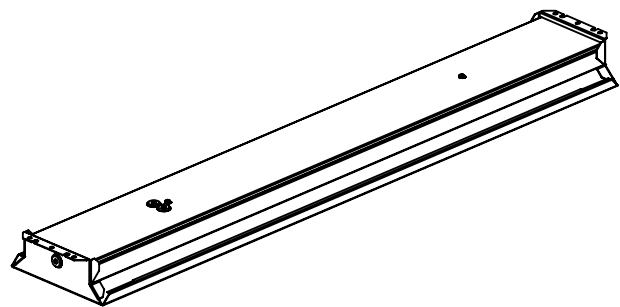
Bemærk:

- Montering af armatur og evt. servicering af LED komponenter, må kun udføres af en kvalificeret person.
- Under hele armatur installationsprocessen skal armaturet altid være i spændingsløs tilstand.
- Ved udførsel af service, skal spændingen altid afbrydes før, der åbnes for armaturet.
- Ikke-brugerudskiftelig lyskilde: Lyskilden i dette armatur må kun udskiftes af producenten, dennes serviceværksted eller af en tilsvarende kvalificeret person.
- " ESD følsom elektronik " undgå alt unødvendig berøring af LED paneler og LED drivere. ⚡
- Optiske linser samt andre former for optik, gitre og covers, skal altid være monteret når armaturet er i drift.
- Armaturer med DALI driver, skal være tilsluttet en god og aktiv jordforbindelse.
- Dette produkt indeholder en lyskilde i energieffektivitetsklasse C.

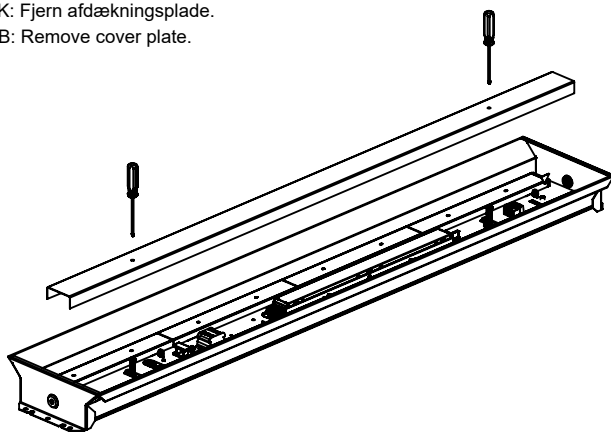
Attention:

- Installation of luminaire and servicing of LED components, may only be performed by a qualified person.
- During the complete luminaire installation process, the luminaire must always be without power.
- Always power off luminaire before opening or accessing any part of the luminaire during service routines.
- Non-user replaceable lightsource: The lightsource contained in this luminaire shall only be replaced by the manufacturer, or his service agent or a similar qualified person.
- " ESD sensitive components " avoid unnecessary touching LED boards and LED drivers. ⚡
- Optical lenses and other forms of optics and grids, must always be mounted when luminaire is in operation.
- Luminaire with DALI driver must have a good active ground/earth connection.
- This product contains a light source of energy efficiency class C.

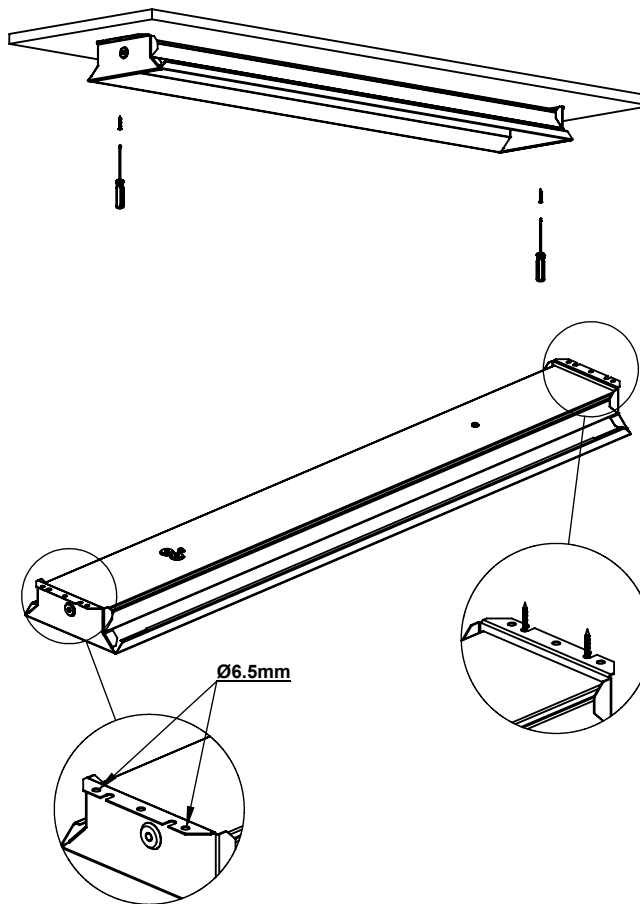
- 1 DK: Pakken indholder.
 GB: Content of package.



- 2 DK: Fjern afdækningsplade.
 GB: Remove cover plate.

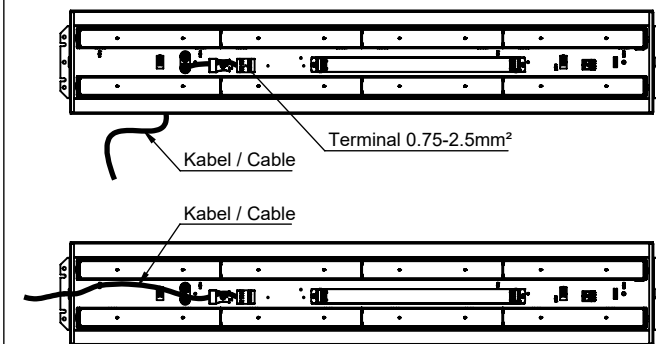


- 3 DK: Monter armatur.
 GB: Install luminaire.



DK: Armaturet skal altid fastgøres i Ø6.5mm hullerne i minimum en af enderne.
 GB: When installing always use the Ø6.5mm fixed holes in at least one of the ends.

- 4 DK: Tilslut armaturet (mulighed for sløjfning).
 GB: Connect mains (possibility for looping).



- 5 DK: Monter afdækningspladen på de 2 stk. M4 afstandsstag.
 GB: Install cover plate on the 2 pcs. M4 distance units.

